

- * **FIXED OR SELECTABLE RANGE °C or °F**
- * **0.1% ACCURACY**
- * **LOW VOLTAGE DROP**
- * **NEMA 4X ENCLOSURE**
- * **RATED CLASS 3-C IMMUNITY**
- * **VARIETY OF MOUNTING OPTIONS AVAILABLE**



GENERAL DESCRIPTION

The Model RTI Resistance Temperature Indicator combines an RTD resistance temperature transmitter and a loop powered indicator to provide signal transmission and local indication of temperature without the need for an external power source.

Housed in a compact 2.6" x 3.1" x 4.3" NEMA 4X waterproof enclosure, the instrument may virtually be placed at any point along a 4 to 20 mA loop and provide temperature indication. Loop powered means that the unit obtains its operating voltage directly from the 4 to 20 mA signal. Any voltage from 9.5 to 35 VDC may be applied. The RTI may be calibrated to read any temperature range in °C or °F with inputs from 0-150°F to 0-1000°F. Range changes are accomplished via DIP style switches and non-interacting span and offset potentiometers.

The Model RTI Resistance Temperature Indicator is comprised of a Devar Model SM812 RTD/Resistance, 2-Wire Temperature Transmitter and a Devar Model 18-SLPI Loop powered Indicator.

The SM812 Transmitter is mounted on the base (Plug-in receptacle) board of the 18-SLPI. Sensor Wiring is accomplished at the SM812 terminal block while the power is wired to the assembly, which consists of two indicator boards from the baseboard. The NEMA 4X integrity of the 18-SLPI enclosure is maintained by utilizing two 1/2" FNPT watertight conduit connection hubs (Option -M42) for sensor and power/signal wiring. The minimum supply voltage required by the Resistance Temperature Indicator is 9.5 Volts DC.

SPECIFICATIONS MODEL RTI

INPUT:

Platinum 100 Ohms, Alpha = 0.00385

Range: RTI-1 span 0/150°F to 0/500°F
 RTI-2 span 0/300°F to 0/1000°F
 zero adjust ±40°F

OUTPUT:

Range: 4 to 20 mA
 Limit: 2.5 to 28 mA
 Max. Load: (V_{SUPPLY} - 9.5/0.02)
 Load Effect: ±0.05% per 300 Ohms

ACCURACY:

0.1% span relating to temperature

RFI IMMUNITY:

Rated Class 3-C

OPEN RTD:

Indication Upscale

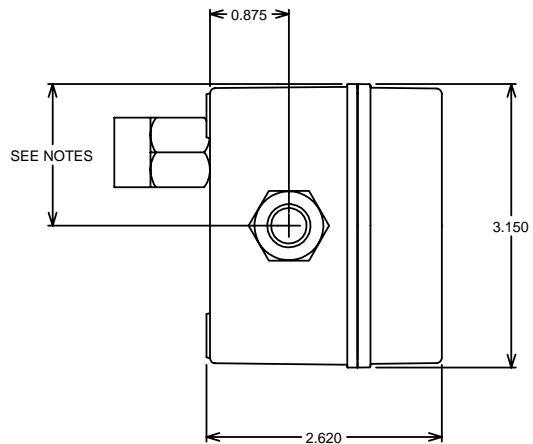
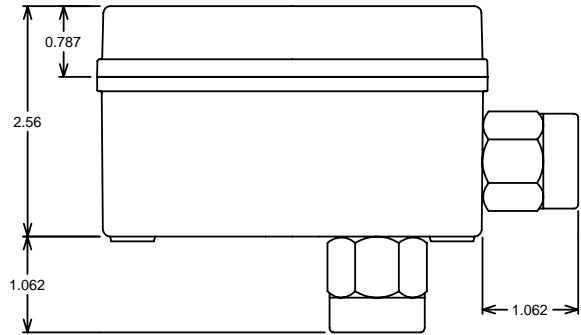
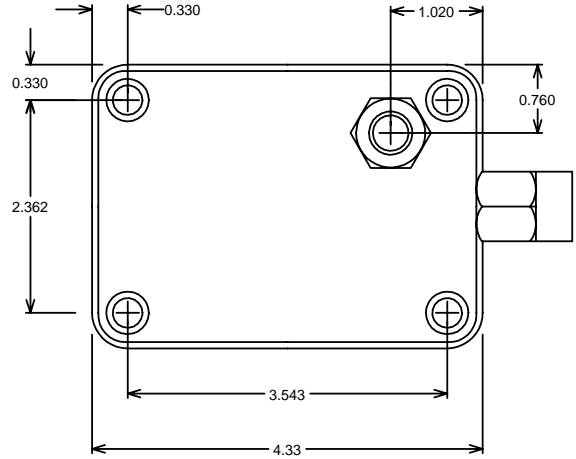
ORDERING INFORMATION:

Specify Model: RTI-1 span 0/150°F to 0/500°F
 RTI-2 span 0/300°F to 0/1000°F

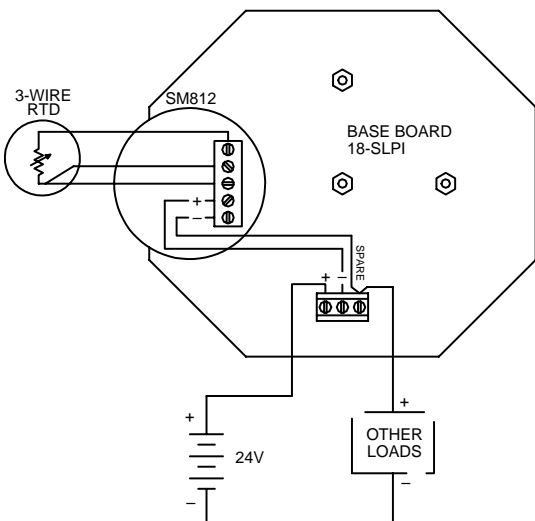
OPTIONS:

- M36 Pipe Mounting Kit
- M31D DIN Rail Mounting Bracket
- M31S SnapTrack Bracket
- M42 Sealed Conduit Hub
- M46 Panel Mount (NEMA 4)

WARRANTY: 2 years



General Dimensions



Field Wiring