

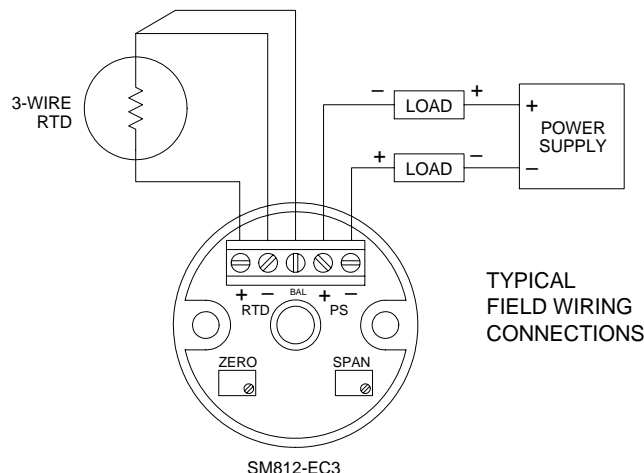
- * HVAC RTD SENSOR AND TRANSMITTER ASSEMBLY
- * JUNCTION BOX MOUNT
- * LOOP POWERED / 4 TO 20 mA OUTPUT
- * ACCURACY $\pm 0.1\%$ OF SPAN



GENERAL DESCRIPTION

The Duct Temperature Transmitter is designed to accurately measure duct air temperature and provide a loop powered, 4 to 20 mA output that is proportional to the measured temperature within $\pm 0.1\%$. Additional power connections are not required because the DTT is a 2 wire device and receives its operating power directly from the output current loop.

The transmitter is housed in a die cast aluminum housing with a gasket sealed cover. A precision RTD, with a 316 stainless steel sheath and 1/2" NPT fitting, is located at the rear of the housing. The loop power requirement is 8.0 to 35 VDC. Standard temperature ranges are 0 to 100°F, -30 to 130°F, 40 to 140°F, -40 to 120°F, and 50 to 85°F.



TYPICAL
FIELD WIRING
CONNECTIONS

SM812-EC3

SPECIFICATIONS

Performance

Accuracy:..... ±0.1% of Span relative to Temperature
 Thermal Effect:..... Zero shift ±0.02% of Span / °F
 Span shift ±0.02% of Span / °F
 Load Effect:..... < ±0.002% of span / 300 Ohms

Power Supply

Working Voltage:..... 8.0 to 35 VDC
 Maximum Loop Resistance:
 Ohms = $(V_{SUPPLY} - 8v) / 0.020A$

RFI Immunity

Rated Class 3-C: 0.25% of span
 per SAMA PMC 33.1-1987-2abc

Environment

Temperature Range:..... Ambient -13 to 185°F
 Storage -85 to 257°F
 Humidity:..... 0 to 90% non-condensing

Input

100° Platinum RTD, alpha = 0.00385
 Sheath: 1/4" Diameter, 316 Stainless Steel
 Length = 4, 6, and 12 inches

Output

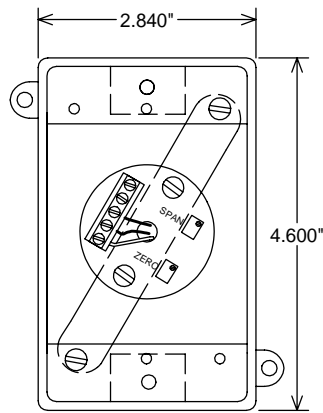
Signal Range: 4 to 20 mADC
 Absolute Limit: 2 to 29 mA
 Open RTD Indication: Output > 22 mA

Calibration Range Adjustability

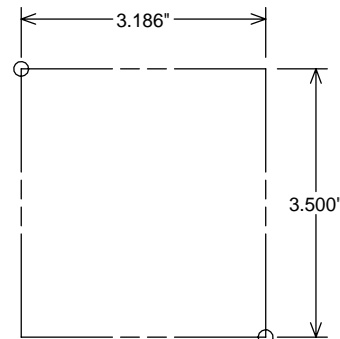
Zero: ±12 of nominal span
 Span: ±12 of nominal span

Standard Fixed Ranges

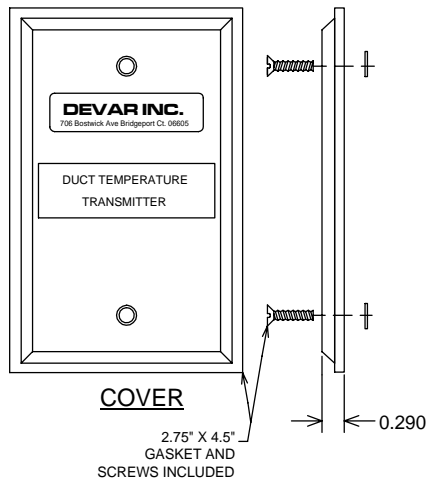
-0011	-40 / 120°F	(-40 / 50°C)
-0017	-30 / 130°F	(-35 / 55°C)
-0018	40 / 140°F	(5 / 60°C)
-0019	50 / 85°F	(10 / 30°C)
-0022	0 / 100°F	(-18 / 38°C)



BOX

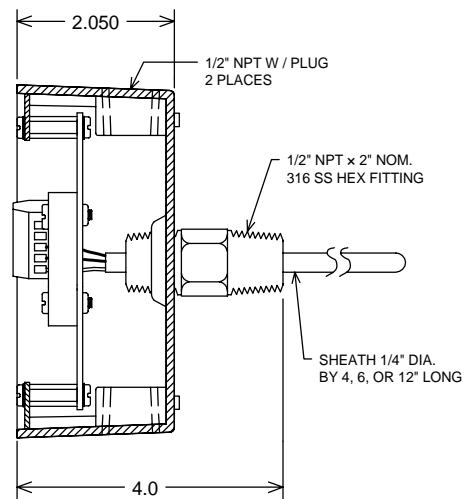


(2) MOUNTING HOLES 0.194 DIA.



COVER

2.75" X 4.5"
 GASKET AND
 SCREWS INCLUDED



DEVAR Inc.

706 BOSTWICK AVE.
 BRIDGEPORT, CT 06605-2396
 TEL: 203-368-6751 FAX: 203-368-3747
 TOLL FREE: (800) 566-6822
 www.devarinc.com